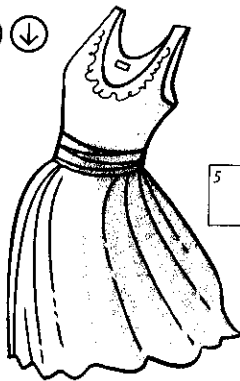
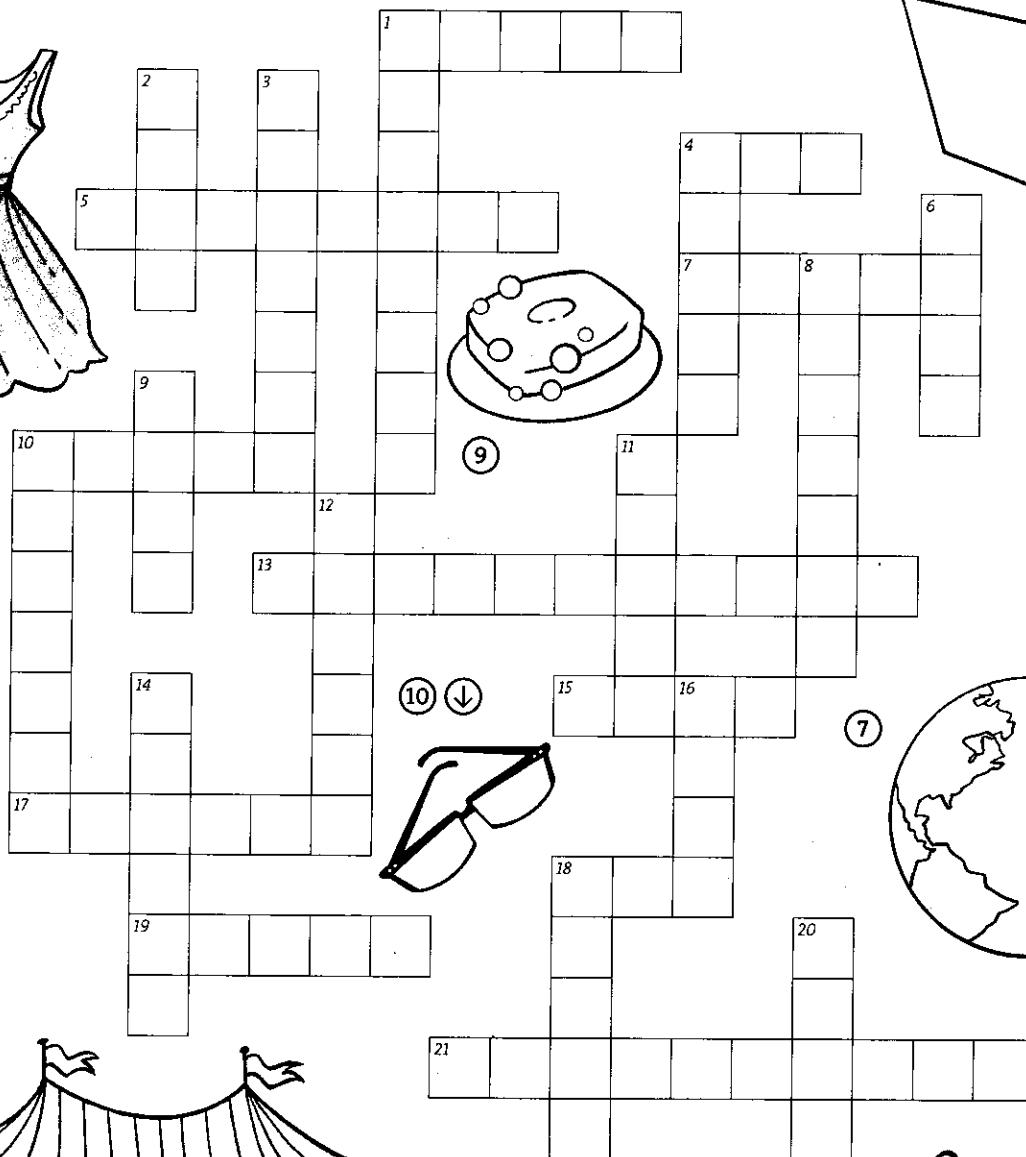
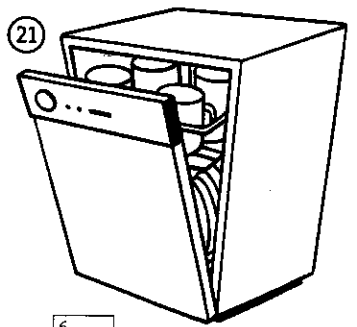


Crossword

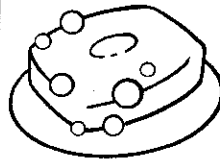
18 ↓



21



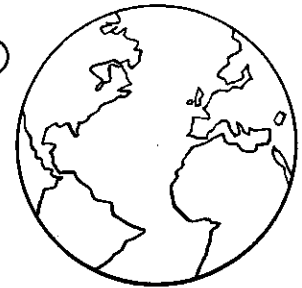
9



10 ↓



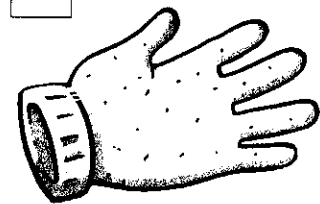
7



14



10 →



- 1 → ◀▶ full
 1 ↓ ◀▶ boring
 2 Sb. who doesn't give presents to friends is ???
 3 I like languages, for ??? French.
 4 → Be careful with the scissors – don't ???.
 your finger!
 4 ↓ ◀▶ expensive
 5 You can read it, but it isn't a book.
 6 I'm 12. My sister is 14. So she's older ??? me.
 8 It's good to ??? your rubbish.
- 11 I watched an exciting football ??? last night.
 12 ◀▶ everybody
 13 I love my sofa because it's very ???.
 15 Let me ??? you some photos.
 16 ◀▶ close
 17 When you ask lots of people what they
 think, you do a ???.
 18 → Luca's ??? was his parents' garage before.
 19 I can only stay ??? three o'clock.
 20 Another word for "too"